



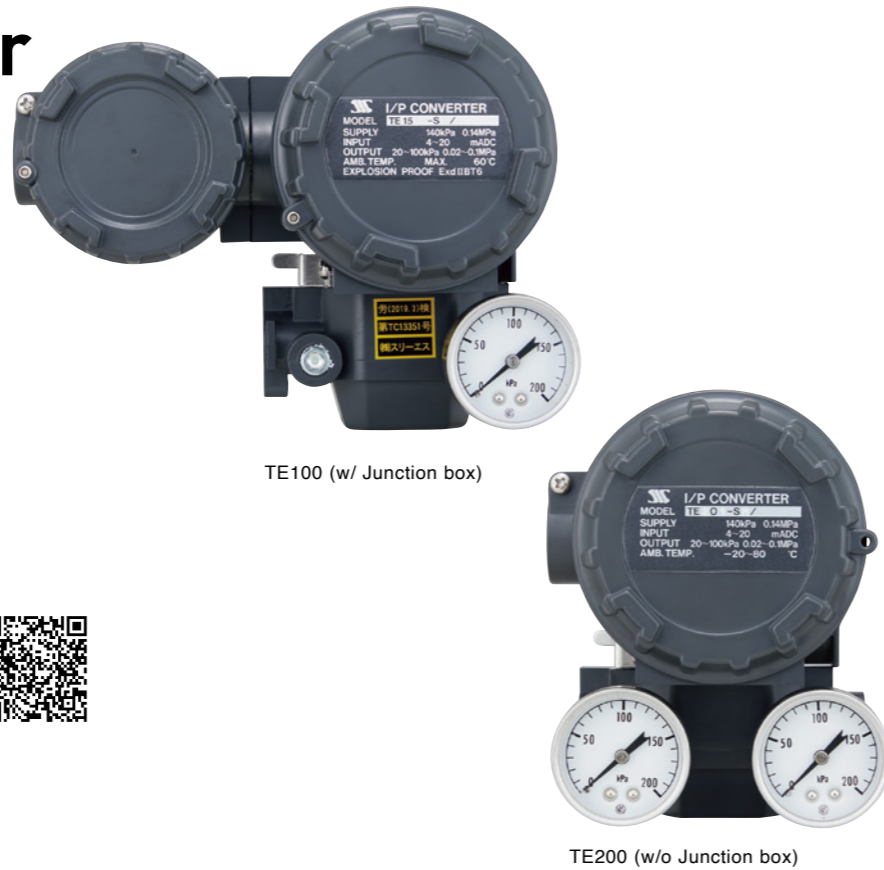
I/P Converter

TE100

(w/ Junction box)

TE200

(w/o Junction box)



TE100 (w/ Junction box)

TE200 (w/o Junction box)

Features

- Direct mounting of Regulator
- Auto/Manual Function
- Wall or Pipe mounting kit included



Specifications

Items	TE100	TE200
Supply Air Pressure	140kPa	
Output Air Pressure	20~100kPa	
Input Signal	4~20mA	
Accuracy	Linearity: ±0.2% Histeresis: ±0.2% Repeatability: ±0.1%	
Minimum Voltage	6.5V @ 20mA	
Air Flow Capacity	Approx. 40 NI / min	
Air Consumption	3 NI / min (w/ Regulator: 4 NI / min)	
Ambient Temperature	Standard: -20~80°C	-
Air Connection	Standard: Rc 1/4 (Rc 1/8 for Gauges) Option: 1/4 NPT (1/8 NPT for Gauges)	-
Electric Connection	Standard: G 1/2 Option: 1/2 NPT	-
Housing Construction	Explosion Proof: TIIS Flameproof Ex d IIB T6	
Mass	1.6 kg (w/ Regulator: 1.8 kg)	1.3 kg (w/ Regulator: 1.5 kg)
Material	Aluminium Die-casting	

* Supply air should be dry (dew point under than -30°C) and clean.
 * Air filter (smaller than 5µm) shall be placed just precading of supply port.

Notation Table

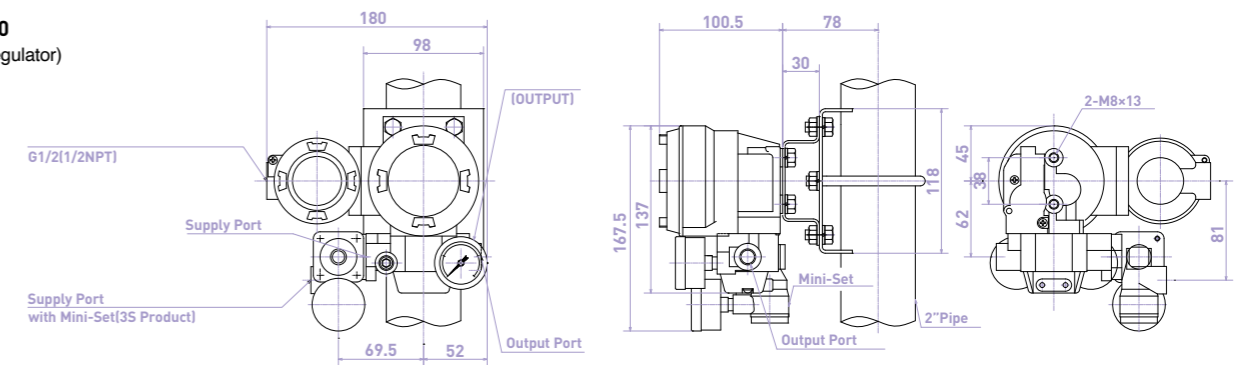
1	2	3	-	4	5	/	6	7	8	9
---	---	---	---	---	---	---	---	---	---	---

Items	Specification	記号
1 Series	TE100: w/ Junction Box TE200: w/o Junction Box	TE1 TE2
2 Housing Construction	Non-Explosion Proof Ex d IIB T6 (TIIS) Flameproof *1	0 5
3 Air Connection	Rc 1/4 G1/2	1
Electric Connection	1/4 NPT G1/2	3
	1/4 NPT 1/2 NPT	5
4 Ambient Temperature	Standard: -20~60°C (Flameproof: -20~60°C)	S
5 A/M Function	Switchable	M
	200kPa	K2
6 Pressure Unit	0.2Mpa	M2
	30psi	P2 *1
	2bar	B2
7 Pressure Gauge	None	G0
	on Output	G1
	Supply + Output	G2
8 Input Signal	4~20mA	M1
	4~12mA	M2
	12~20mA	M3
	Special	M4
9 Regulator Supply	Rc 1/4	R1
	1/4 NPT	N1
	w/o Regulator	no-mark

* Pressure gauges applied when w/ regulator
 *2 No domestic sales in Japan due to Non-SI unit. *2 Not available with TE200 series

Dimensions

TE100 (w/ Regulator)



TE200 (w/o Regulator)

